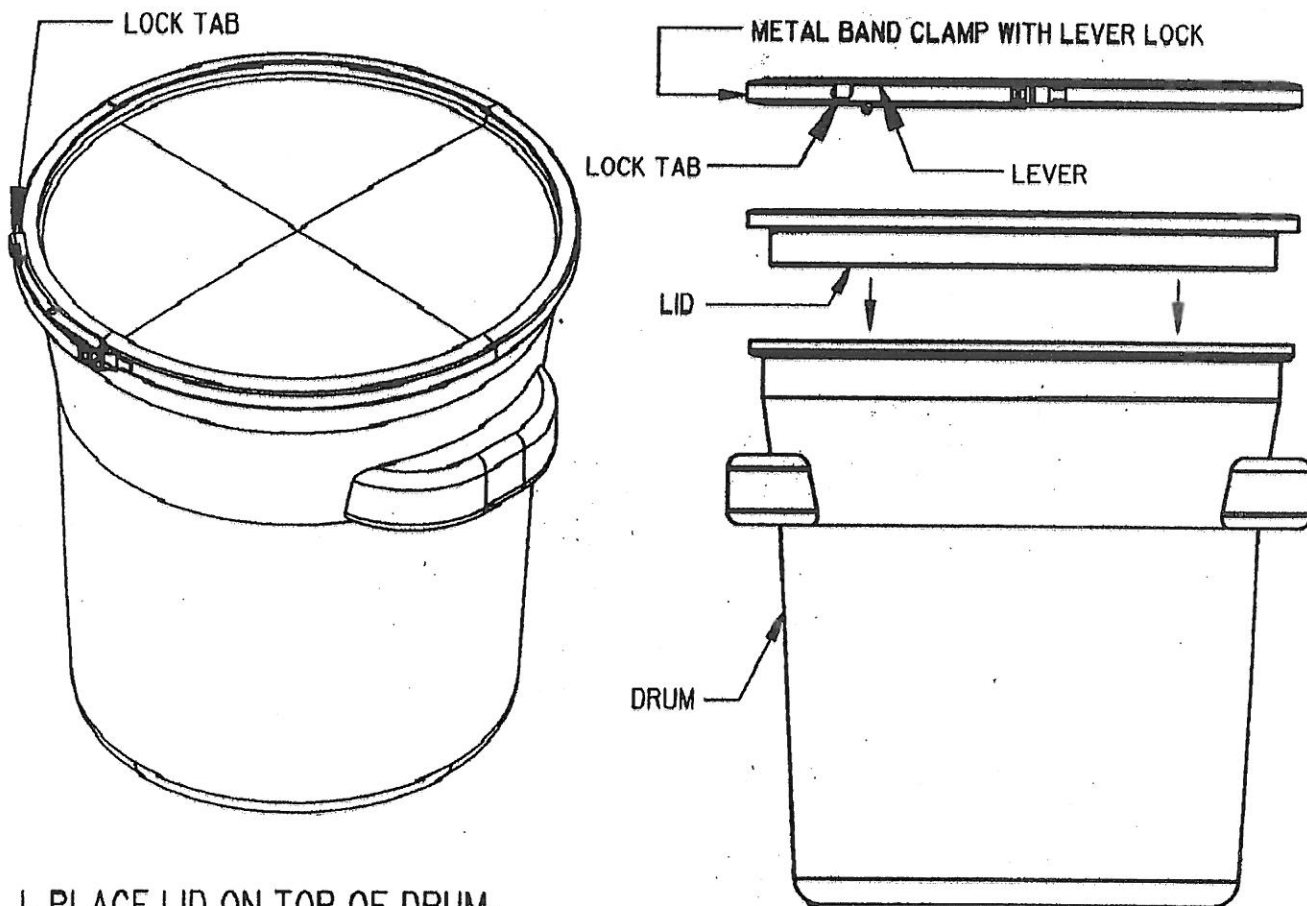


EAGLE MANUFACTURING COMPANY  
WELLSBURG, WV 26070  
www.eagle-mfg.com

INSTRUCTIONS ON HOW TO ASSEMBLE LID AND METAL  
BAND CLAMP WITH LEVER LOCK TO A DRUM  
FOR: **MODEL 1610MB 14 GALLON LABPACK**  
MODEL NO. 1654 20 GALLON SALVAGE DRUM AND  
MODEL NO. 1602 30 GALLON SALVAGE DRUM



1. PLACE LID ON TOP OF DRUM.
2. AFTER PLACING LID ON DRUM, MAKE SURE THE TOP OUTSIDE DIAMETER OF DRUM IS INSIDE LID AND AGAINST GASKET ALL AROUND DRUM BEFORE INSTALLING METAL BAND CLAMP.
3. OPEN METAL BAND CLAMP LEVER UNTIL IT STAYS OPEN.
4. PLACE THE BAND CLAMP OVER THE DRUM AND LID, WITH BAND ON A SLIGHT ANGLE, SO THE SIDE OPPOSITE THE LEVER GOES ON THE LID AND DRUM FIRST USING YOUR LEFT HAND. YOUR RIGHT HAND WILL BE ON THE LEVER.
5. CONTINUE HOLDING CLAMP TO DRUM WITH LEFT HAND WHILE LOWERING LEVER SIDE OF BAND WITH RIGHT HAND UNTIL BAND IS LEVEL AND ALL AROUND LID AND DRUM.
6. PULL THE LEVER TOWARD THE CLOSED POSITION UNTIL IT SNAPS INTO THE LOCKED POSITION AROUND THE LID AND DRUM.
7. NOW ROTATE THE LOCK TAB INTO THE SLOT AT THE END OF THE LEVER. MAKE SURE LOCK TAB ENTERS FROM TOP SIDE OF BAND ASSEMBLY.