

EAGLE MANUFACTURING COMPANY

304-737-3171

2400 CHARLES STREET

304-737-1752

WELLSBURG, WV 26070

EAGLE OPEN HEAD DRUM Model 1655M and 1655MB are UN certified.

It is a 55 gallon drum with no handles.

Its certification numbers are:

1H2/X200/S/XX/USA/M4990 AND 1H2/Y250/S/XX/USA/M4990

These containers are made of high density polyethylene which is chemically resistant to many materials. It is not chemically resistant to all materials. Do not fill with any material that is not chemically compatible with this container.

These containers are certified for use with solids. There must be enough absorbent material placed inside the drum to absorb all free liquid to meet un/dot certification.

INSTRUCTIONS FOR USE

Figure No. 1 shows the band clamp full open with $4\frac{3}{4}$ " gap between the ends of the band. Also shown is locking tab on the top side of the band.

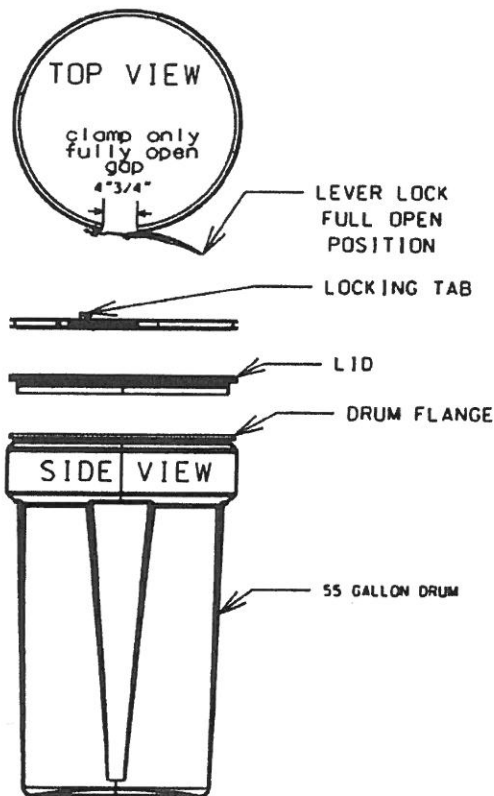


FIGURE NO. 1

STEP 1:

Fill the drum. The total weight of the drum, lid, locking band, and contents of the drum should not exceed 200kg=441 lbs. or 250kg=552 lbs. There must be enough absorbent material in the drum to absorb all free liquids.

Figure No. 2 shows the drum, lid and band clamp with the locking tab all assembled.

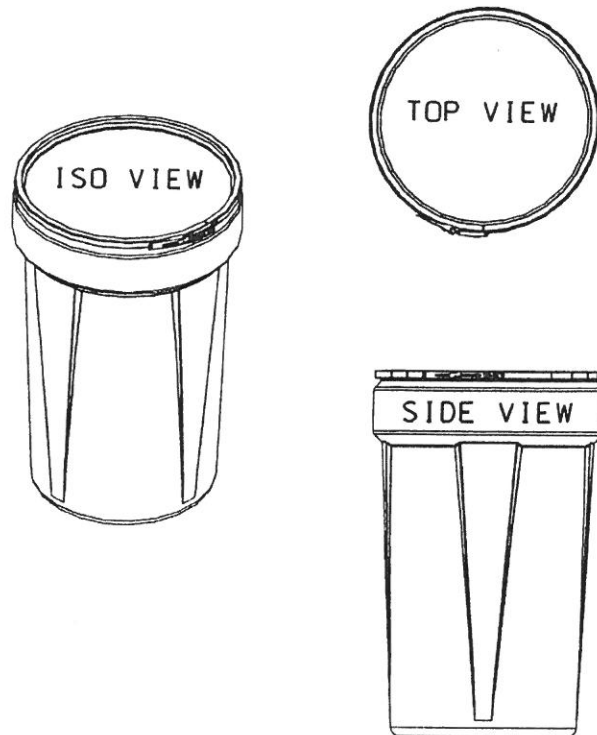


FIGURE NO. 2

STEP 2:

Place the lid on the drum and center the lid on the drum by tucking the drum flange inside of the lid gasket area.

STEP 3:

Take the band clamp with both hands and open clamp as far as possible (gap will be $4\frac{3}{4}$ "). Place band clamp over lid and drum flange by tilting clamp opposite the lever until the gap is over the lid and drum flange then level the band clamp down on the lid and drum then pull the band around the drum with both hands and close the band clamp around the lid and drum flange. Once the band clamp is all the way around the lid and drum then pull and snap the band clamp lever into the closed position.